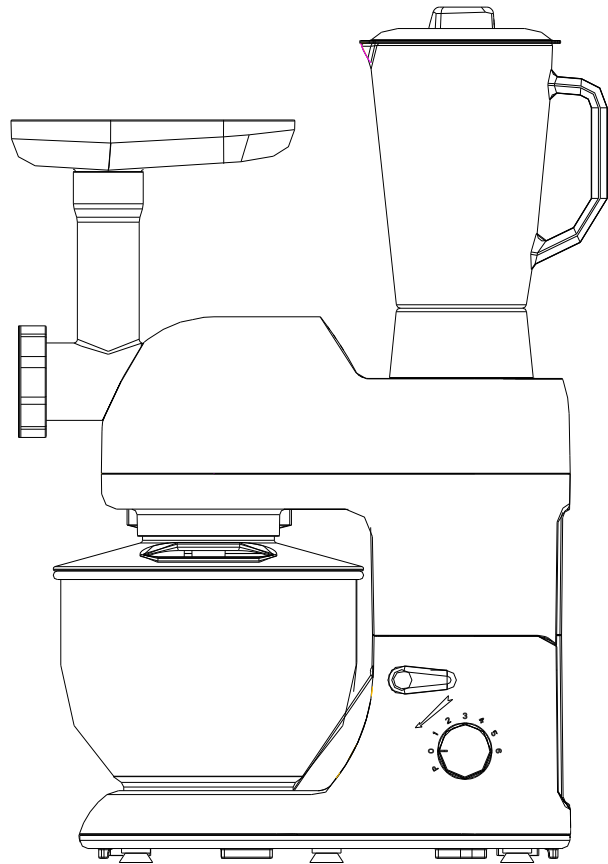
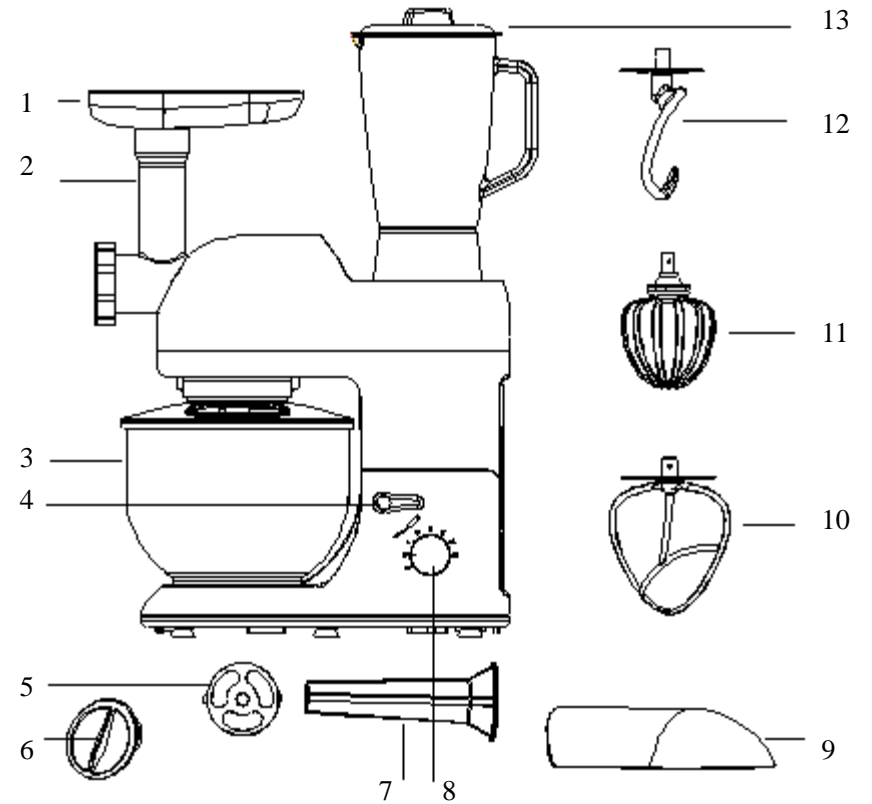


# INSTRUCTION MANUAL

MULTI-FUNCTION STAND MIXER  
SM-1086

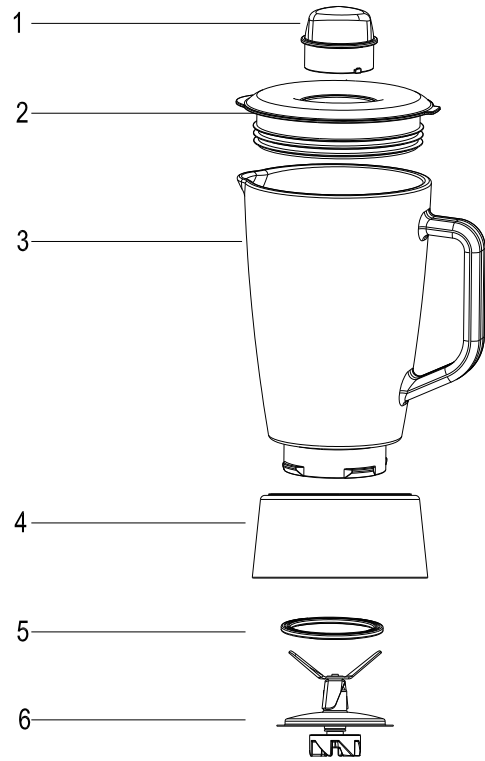


Before operating this unit, please read these instructions completely



Multi-Function Stand Mixer (Configuration )

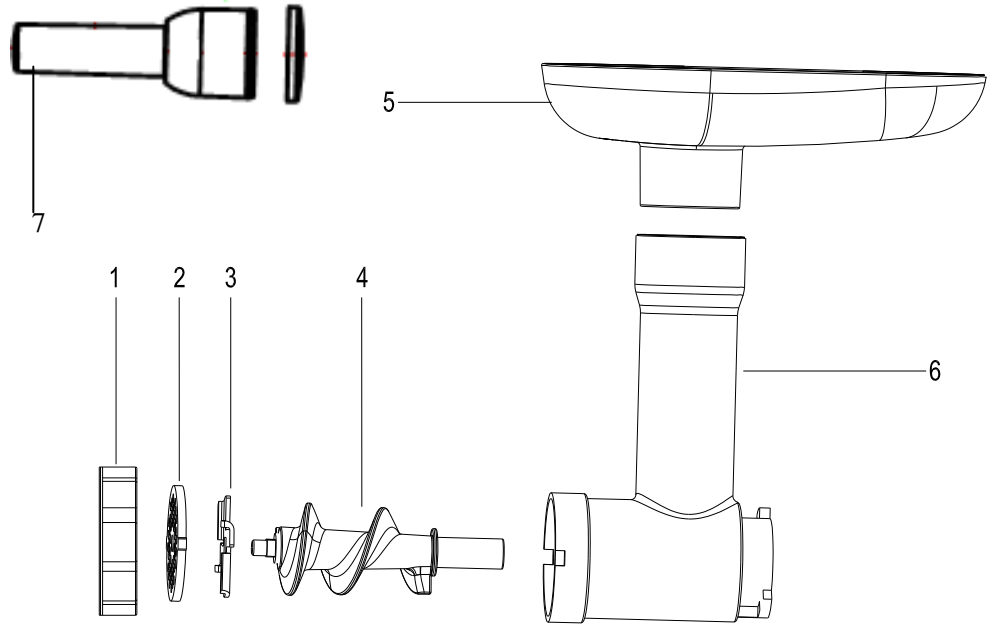
- |                   |                     |                 |
|-------------------|---------------------|-----------------|
| 1. Hopper plate   | 7. Sausage tube     | 13. Blender jug |
| 2. Mincing tube   | 8. Speed controller |                 |
| 3. Mixing bowl    | 9. Cover            |                 |
| 4. Unlock lever   | 10. Mixing beater   |                 |
| 5. Sausage Holder | 11. Balloon whisk   |                 |
| 6. Front cover    | 12. dough hook      |                 |



Blender Jar Assembly

- 1 Measuring cup
- 2 Lid
- 3 Glass Jar

- 4 Jar base
- 5 Sealing ring
- 6 Blade base



Food mincer Assembly

- 1 Fixing nut
- 2 Mixing disk

- 3 Mincing blade
- 4 Worm shaft

- 5 Hopper plate
- 6 Mincing tube
- 7 food pusher

## Important safety advice

---

- The operating instructions are a constituent part of this product. They contain important information about safety, use and disposal. Familiarize yourself with all the operating and safety instructions before using the product. Use the product only as described and for the stated spheres of application.  
If you pass the product on to a third party, always pass on all the documentation as well.
- Read this instruction carefully and use the product under the directions of instruction. There is a potential injury from the misuse.
- Appliance is not intended for use at altitudes exceeding 2000m.
- Under no circumstances should water or other liquids get into the base unit.  
For this reason:
  - Never use it outdoors
  - Never immerse the base unit in water
  - Never place containers filled with liquid, such as drinking glasses, vases etc. on the appliance
  - Never use in very humid environments
  - Never use in immediate vicinity of a kitchen sink, bath, shower or a swimming pool, as water may splash into the appliance.If liquid should enter the appliance, unplug the mains plug immediately and have the appliance repaired by a qualified technician.
- Ensure that the mains cable is not knicked, twisted or crushed.
- Ensure that the mains cable is not damaged on sharp edges.
- Keep the mains cord away from hot surfaces (such as stove eyes).
- Always pull the mains cord out by the plug. Never pull it by the cord itself.
- Insert the mains plug into a wall socket that complies with the technical data.
- The appliance must only be set up on a firm, level, dry and non-flammable surface.
- Check that the power socket is easily accessible so that you can pull out the mains plug quickly if necessary.
- If there should be any malfunctions, the appliance may only be repaired by

our Service Centre.

- Repairs should only be carried out in a qualified workshop.
- Children shall not play with the appliance.
- This appliance shall not be used by children. Keep the appliance and its cord out of reach of children.
- The appliance may only to be used for its intended purpose according to these operating instructions.
- Never operate the device empty.
- During operation, avoid contact with the moving parts of the appliance such as the blades of the blender jug, the dough hook, balloon whisk or beater. Your hands or hair could be drawn into the appliance, leading to injuries. Only ever switch the appliance on if you have correctly fitted the splash guard when using the mixing bowl or the lid when using the blender jug.
- If you are not going to use the appliance for a while, remove the plug from wall socket. Only then is the appliance completely free of current.
- Always remove the power supply plug from the mains socket before starting to clean the appliance.
- If the supply cord is damaged, it must be replaced by the manufacturer or its service agent or a similarly qualified person in order to avoid a hazard.
- Use caution when handling the sharp cutting blades, when emptying the jar and when cleaning.
- Switch off the appliance and disconnect from supply before changing accessories or approaching parts that move in use.
- Only use one function at a time!
- The mixing bowl is only to be used with stand provided.  
Caution – Ensure that the mixing bowl is switched off before removing it from its stand.
- There is potential injury from misuse.
- Always disconnect the appliance from the supply if it is left unattended and before assembling, disassembling or cleaning.
- The care shall be taken when handling the sharp cutting blades, emptying the bowl and during cleaning.
- Caution: Ensure that the blender jug is switched off before removing it from the stand.

- Always operate the device with a closed lid. Always wait for the blades to come to a standstill before removing the lid.
- Appliances can be used by persons with reduced physical, sensory or mental capabilities or lack of experience and knowledge if they have been given supervision or instruction concerning use of the appliance in a safe way and if they understand the hazards involved.



- **WARNING: AFTER DETACHING THE ACCESSORY, DO NOT TOUCH THE MOVING SHAFT.**
- This appliance is intended to be used in household and similar applications such as:
  - staff kitchen areas in shops, offices and other working environments;
  - farm houses;
  - by clients in hotels, motels and other residential type environments;
  - bed and breakfast type environments.
- Never operate the appliance continuously for more than 4 minutes at rated power.
- The appliance should be cool down to the room temperature after each process.
- Be careful is hot liquid is poured into the mixing bowl or blender Jug as it can be ejected out of the appliance due to a sudden steaming.

### **Technical information**

Voltage/frequency/power: 220-240V ~ 50/60Hz 800W

Mixing bowl capacity: 5.0liters

Glass jar capacity: 1.5 liters

Rated operation: Maximum operating time is 4 Minutes of each use then the appliance to cool down to ambient temperature after each use.

### **Before first use**

- All parts of the Multi-Function Stand Mixer are to be thoroughly cleaned before

being used for the first time. (See section: Cleaning).

- Take out the required length of cable from the cable tidy on the base of the stand mixer and connect the device to the mains supply.

### **Trial use**

1. Revolve the Shaft knob, then lift the machine arm.
2. Put the mixing bowl and mixing bowl cover onto the base, and lock it as the arrowhead denotes.
3. Revolve the Shaft knob, then push the upper cover down and make the arm down. Make sure the arm is fixed together the base, then Revolve the Shaft knob up to lock the arm solidly.
4. Plug-in the cord, and turn the rotary knob to P, then try every speed for a few seconds.
5. After the trial, turn the rotary knob to Speed 0.
6. Turn the Shaft knob and lift the arm, then take apart the mixing blade from the blade connector.
7. Take off the caudal cover from the upper housing.
8. Pure a cup of water into the blender jar, set the blender jar onto the machine, then repeat step 4, 5 and 6.
9. Take off the blender jar, and set the Caudal cover to the machine.

### **Assembling the appliance**

1. Press the unlock lever and swing up the drive arm.
2. To fit the mixing bowl, insert it in the base unit.
3. Lock the mixing bowl by rotating it slightly anti-clockwise until it engages.  
Caution!  
Never use the mixing bowl without the splash guard in position. Otherwise food might be ejected.
4. Fit the splash guard onto the drive arm from below. The filling opening with flap should point towards the speed controller.
5. Press on the splash guard until it engages.

6. Select the appropriate attachment:
    - Dough hook: for heavy dough, e.g. bread dough
    - Balloon whisk: for whipping cream, beating egg whites, etc.
    - Beater: for medium to light dough / batter, e.g. batter for (pan)cakes.
  7. Fit the attachment into the appropriate opening in the drive arm from below.
 

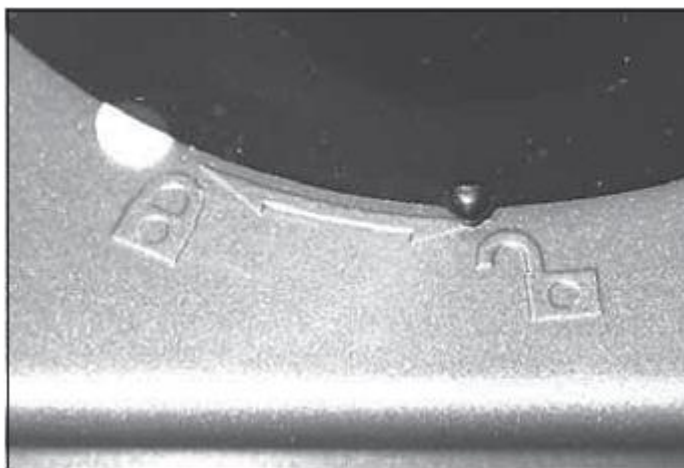
When doing so, make sure that the little lugs on the shaft of the attachment are inserted into the crosswise slot of the opening.
  8. Press the attachment lightly in and turn clockwise until it engages.
  9. Press the unlock lever and swing the drive arm down into the working position.
- The appliance is now ready to use.

### Fitting the blender jug:

#### Caution!

Do not use the blender jug and the mixing bowl at the same time. This might overload the appliance.

1. The cover off.
2. Position the blender jug so that the little nib points to the open padlock symbol.

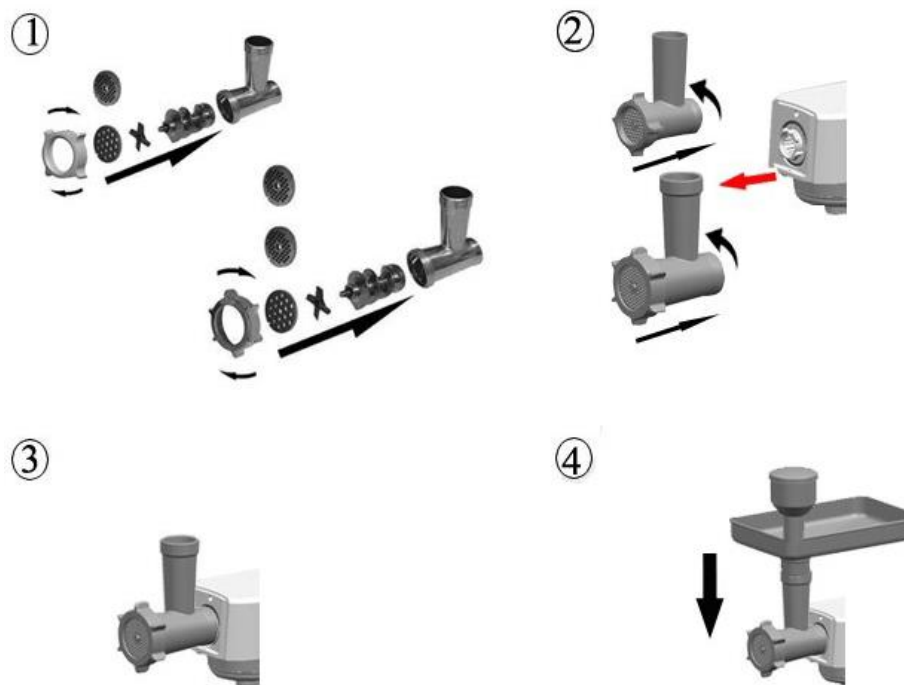


3. Turn the blender jug clockwise until it engages. The little nib is now pointing to the closed padlock symbol.

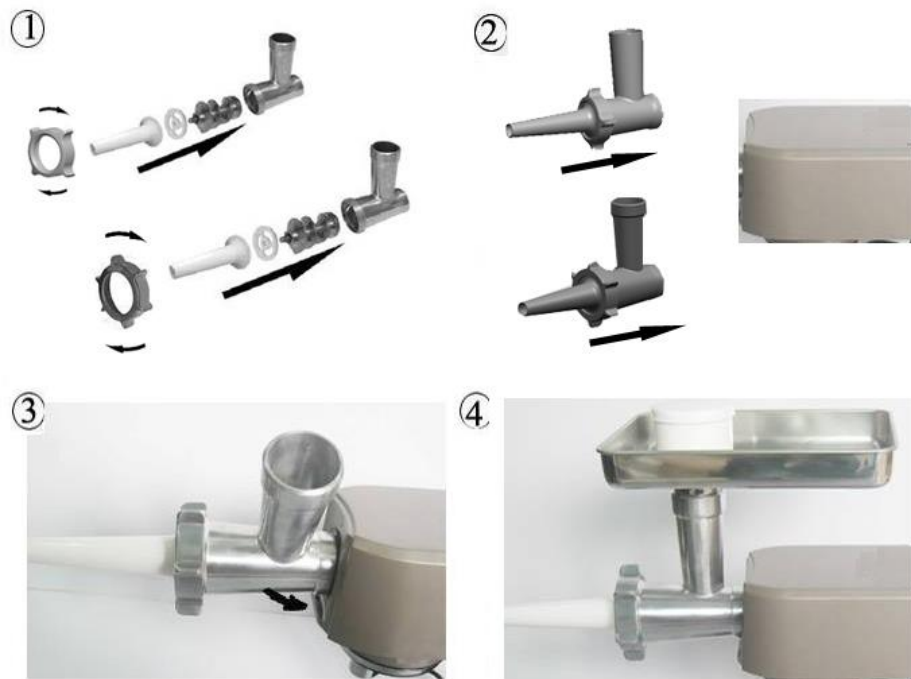
### Fitting mincing Tube:

1. Hold the body of the cutter housing, and be sure that the largest opening of the feed tube is upward.

2. Insert the worm shaft into the cutter housing.
3. Fit the cutter blade on the shaft with the cutting edge upward.
3. Place the medium grinding disc, fine grinding disc or coarse grinding disc (depending on your need) onto the worm shaft.
4. Install the screw tightly.
5. Put the assembled cutter housing into the outlet of the multifunction head by turning it anti-clockwise in the vertical position (a click should be heard).
6. Place the tray on the upright part of the cutter housing.
7. Now the appliance is ready for mincing.



## Making sausages



1. Mince the meat.
2. Insert the worm shaft into the cutter housing, the plastic end first.
3. Place the separator in the cutter housing.
4. Place the sausage horn on the cutter housing and screw the ring on the cutter housing. (Make sure the notches of the separator fit onto the projections of the mincer head).
5. Put the Cutter housing into the multifunction head by turning it anticlockwise in the vertical position (a click should be heard).
6. Place the tray on the upright part of the cutter housing
7. Now the appliance is ready for making sausages.

1) Put the ingredients in the tray. Use the pusher to gently push the meat into the cutter housing.

2) Put the sausage skin in lukewarm water for 10 minutes. Then slide the wet skin onto the sausage horn. Push the (seasoned) minced meat into the cutter housing.

3) If the skin gets stuck onto the sausage horn, wet it with some water.

4) When you disassembled the body (Cutter housing, you must press the Release button for Cutter housing button to up.

## Dismantle appliance

1. Press the unlock lever and swing up the drive arm.
2. To remove an attachment, press lightly in again and unlock by turning anticlockwise slightly.
3. Remove the attachment.
4. To remove the splash guard, pull it downwards. When doing so, first pull the splash guard down at the back slightly.
5. Unlock the mixing bowl by rotating slightly in a clockwise direction.
6. Remove the mixing bowl.
7. Press the unlock lever and swing the drive arm down into the working position.

## Removing the blender jug:

1. Turn the blender jug anti-clockwise until that the little nib points to the open padlock symbol.
2. Remove the blender jug.
3. Put the removeable cover back on.

## Removing the mincing Tube:

Reverse operation in step “Fitting mincing Tube ” above.

## Operation Guide

---

### To mix or knead dough:

1. The dough hook should be used.
2. Suggestion flour and water at ratio of 5:3.
3. When filling the mixing bowl, please ensure that the maximum quantity is not exceeded.
4. Maximum quantity of flour is 1500g.
5. From speed 1 for mix 20 second, and speed 2 for mix 20 second, afterwards speed 3 for about 3 minutes.
6. No longer use than 4 minutes continuously at a time.

### Whipping egg whites or cream:

1. Switch on speed 4 to speed 6, whip the egg whites without stopping for about 4 minutes, according to the size of the eggs, until stiff.
2. Maximum quantity 24 eggs.
3. For whipped cream, whip 250ml fresh cream at speed 4 to 6 for about 4 minutes.
4. When filling the mixing bowl with fresh milk, cream or other ingredients, please ensure that the maximum quality is not exceeded.
5. The egg beater should be used.
6. Use No longer than 4 minutes continuously at a time.

### Mixing shakes, cocktails or other liquids:

1. Mix the ingredients according to the available recipe, from speed 1 to 6 for about 4minutes.
2. Do not exceed the maximum quantity for the mixing bowl.
3. The mixing beater should be used.
4. Use No longer than 4 minutes continuously at a time.

### Mincing meat

1. Cut all foods into pieces ( Sinewless, boneless and fatless beef or pork is recommended, approximately size :(20 mm x 20 mm x 60 mm) so that they fit easily into the hopper opening.
2. Plug the unit on and then turn the rotary knob to Speed 4-6.
3. Feed foods into the hopper plate. Use for it only the food pusher
5. After use switch the unit off and unplug it from the power supply.
6. Use No longer than 4 minutes continuously at a time.

### Use Blender function

1. Place the food stuff you wish to process into the glass jar.
2. This appliance operates at max. power for the blender function with mixture of 600g carrots + 900g water in the speed setting 6.
3. Put the lid on the glass jar and close securely. Place the measuring cup into the hole in the lid and turn clockwise to lock.

Speed setting	Use
“3-4 “setting	for light usage with liquids
“5-6” setting	for more solid consistency – for mixing liquids and solid

foodstuffs

“P” setting

for ice crushing & short, powerful impulse movements  
 (The rotary knob does not permanently engage in the “P” setting. You have to hold it in the “P” setting or turn it repeatedly into the “P” setting)

After using the blender, always move the switch into the “0” setting and pull out the mains plug, and to remove the glass jar just lift it up.

### Cleaning

1. Before using for the first time, clean all parts of the accessories with soapy water. Rinse and dry.
2. Before you clean the appliance, switch the appliance off and remove the plug from the socket.
3. After the stainless steel bowl cool down, remove the bowl. Clean the inside and outside of the bowl. Always keep the contact pins at the bottom of the bowl clean and dry. Only Wipe the contact pins with a wet cloth!
4. Unscrew the screw ring and remove all parts of the attachment. Don’t clean the metal bowl and blade in the dishwasher!
5. Never use pointed or sharp objects for cleaning as this may damage functional parts or affect the safety of the appliance.
6. The blade is very sharp! Handle it with care!
7. Wash all parts except main body and mixing bowl in hot soapy water. Clean them immediately after use. Rinse them with clear hot water and dry them immediately.
8. We advise you to lubricate the blade with some vegetable oil.
9. Only wipe the main appliance with a damp soft cloth!
10. If the bowl and blade is hard to clean. You may add some hot soapy water in the bowl and run the appliance at speed 1 for few seconds.
11. How to clean the main body and mixing bowl.  
 Please pull out the plug from the outlet before cleaning.  
 Clean it with soft cloth and moderate detergent. Use the water carefully so as to prevent the inside of the appliance from moisture.

## Packing list

---

### SM-1086:

- Main body 1 set
- Mixing bowl 1 pc
- Mixing beater 1 set
- Dough hook 1 set
- Balloon whisk 1 set
- Sausage holder 1 pc
- Sausage tube 1 pc
- Blender Jug 1 set
- Food mincer 1 set
- Instruction manual 1 pc
- Food pusher 1 pc

## SAVE THESE INSTRUCTIONS

### THIS PRODUCT IS FOR HOUSEHOLD USE ONLY!

#### Correct disposal of this product



This marking indicates that this product should not be disposed with other household wastes throughout the EU. To prevent possible harm to the environment or human health from uncontrolled waste disposal, recycle it responsibly to promote the sustainable reuse of material resources. To return your used device, please use the return and collection systems or contact the retailer where the product was purchased. They can take this product for environmental safe recycling.